

STANDARD CONSTRUCTION



CONSTRUCTION

- ALL WELDED

FRAME

- 2.00in x .063in [51mm x 1.6mm] EXTRUDED ALUMINUM (6063-T5) CHANNEL FRAME

BLADES

- J STYLE BLADES, .063in[1.6mm] EXTRUDED ALUMINUM (6063-T5) 30° BLADE ANGLE, 2.00in[51mm] BLADE SPACING

FINISH

- MILL

MINIMUM SECTION SIZE

- 7.00in W x 5.44in H [178mm x 138mm]

MAXIMUM SECTION SIZE

- ONE PIECE CONSTRUCTION 60in W x 120in H [1524mm x 3048mm]
- LARGER LOUVERS WILL REQUIRE FIELD ASSEMBLY OF MULTIPLE SECTIONS AND MAY REQUIRE ADDITIONAL STRUCTURAL SUPPORT BY OTHERS.
- INSTALLATION HARDWARE & STRUCTURAL REINFORCING MEMBERS ARE NOT PROVIDED BY PRICE UNLESS OTHERWISE INDICATED.

SIZING NOMINAL ACTUAL

FRAME CHANNEL FLANGED

FINISHES

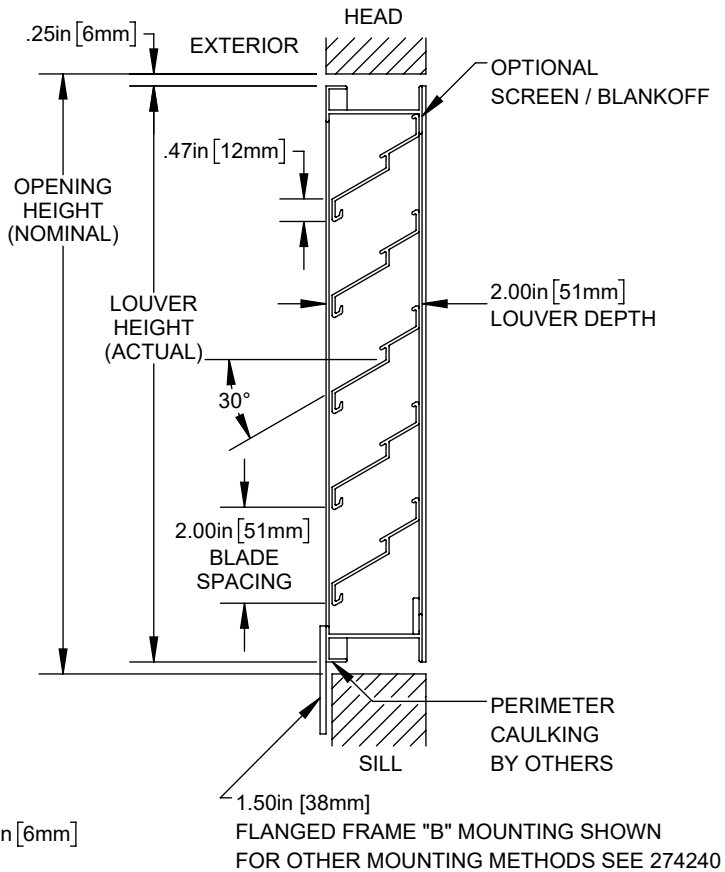
- MILL PRIME COAT
- DURACRON (BAKED ENAMEL) [1]
- DURANAR (70% PVDF) [1]
- DURANAR XL (70% PVDF WITH CLEAR TOP COAT) [1]
- CLEAR ANODIZED COLOUR ANODIZED [1]

ACCESSORIES

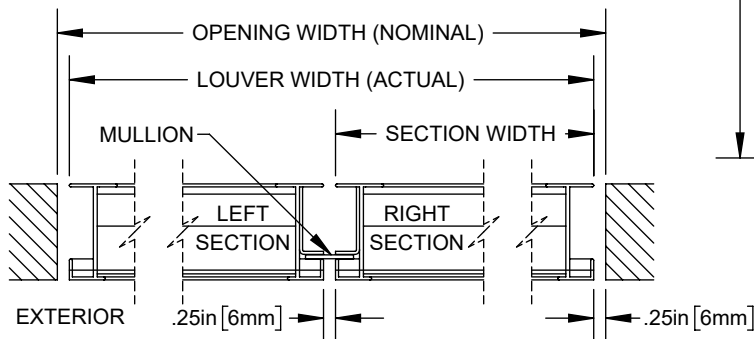
- BIRD SCREEN BIRD SCREEN WITH FRAME
- INSECT SCREEN
- EXTENDED SILL (LOOSE)
- BLANK-OFF PANELS
- INSULATED NON-INSULATED

[1] REFER TO PRICE COLOUR GUIDES FOR A LIST OF AVAILABLE STANDARD COLOURS: [PAINT & ANODIZED](#)
CONSULT PRICE LOUVERS DEPT. FOR OTHER SPECIAL REQUIREMENTS

CHANNEL FRAME "A" MOUNTING SHOWN
FOR OTHER MOUNTING METHODS SEE [274240](#)



MULTI-SECTION ASSEMBLY



FLANGED FRAME "B" MOUNTING SHOWN
FOR OTHER MOUNTING METHODS SEE [274240](#)

PROJECT:		price [®]	
ENGINEER:			
CUSTOMER:		221956	NJE2 2" (51) DEEP, 30° BLADE EXTRUDED NON-DRAINABLE LOUVER
SUBMITTAL DATE:	SPEC. SYMBOL:	2024-01-22	